

Specification sheet LX 694

Parapet drainage system

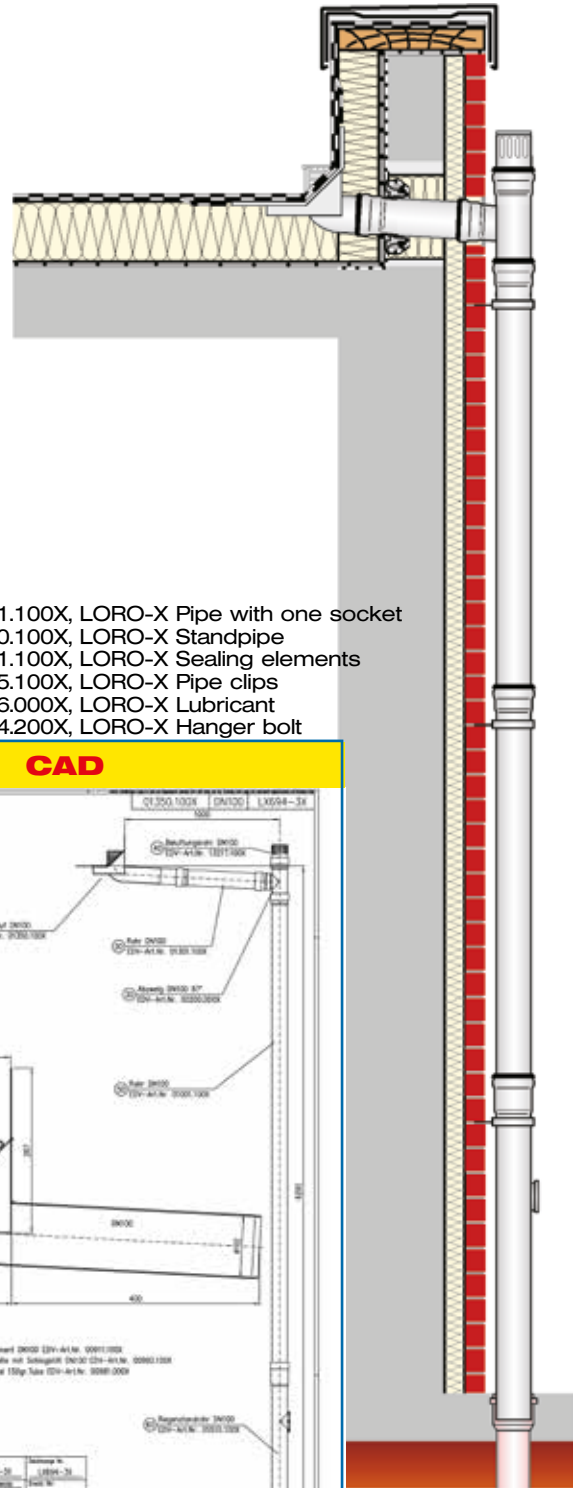
Series 43 Parapet-Direct with basin

Main drainage

Gravity flow

Silent

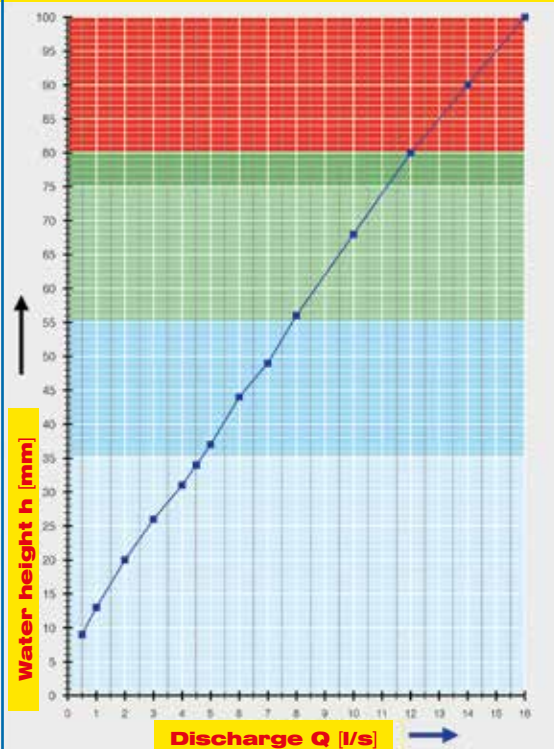
Discharge rate:	4.5 l/sec
Water height:	35 mm
Roof penetration:	103 mm
Diameter:	DN 100
LX-Number:	LX 694
Weir height:	0 mm
Drain:	ventilated
Downpipe:	ventilated
Downpipe height:	4.2 m
Drainage:	in sewer
Flange form:	bonding flange 45°



LX 694 Piece list

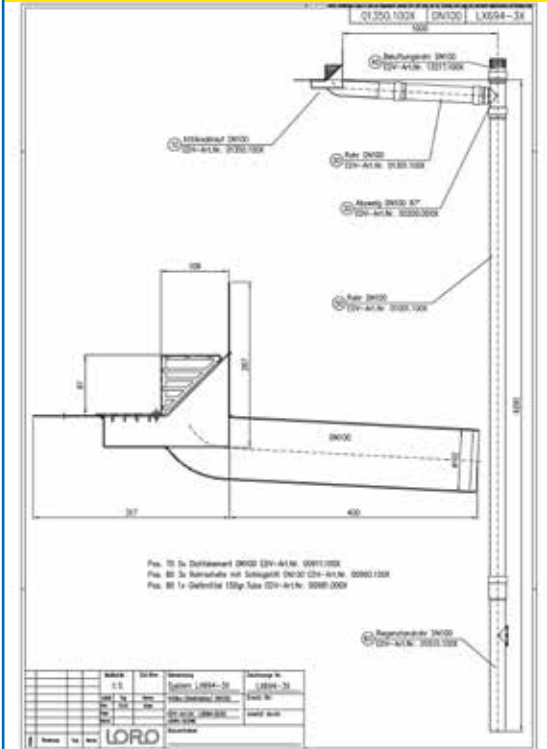
- | | |
|--|--|
| 1 x Art.-No. 01350.100X, Parapet direct drain | 1 x Art.-No. 01001.100X, LORO-X Pipe with one socket |
| 1 x Art.-No. 01319.000X, LORO-X insulation block | 1 x Art.-No. 05510.100X, LORO-X Standpipe |
| 1 x Art.-No. 01301.100X, LORO-X Pipe with one socket | 5 x Art.-No. 00911.100X, LORO-X Sealing elements |
| 1 x Art.-No. 13235.100X, LORO Sliding flange | 3 x Art.-No. 00975.100X, LORO-X Pipe clips |
| 1 x Art.-No. 00200.DD0X, LORO-X Branch | 1 x Art.-No. 00986.000X, LORO-X Lubricant |
| 1 x Art.-No. 13217.100X, LORO-X Ventilation piece | 3 x Art.-No. 09604.200X, LORO-X Hanger bolt |

hQ - Discharge curve



System power

CAD



System shape

Water height	mm	5	10	15	20	25	30	35	40	45	50	55	60	65	70	75
Discharge	l/s		0.6	1.2	2.0	2.7	3.7	4.5	5.5	6	7	8	8.2	9.5	10.2	11.1
Silent																

LORO-X Parapet-Direct, with basin

DN 100

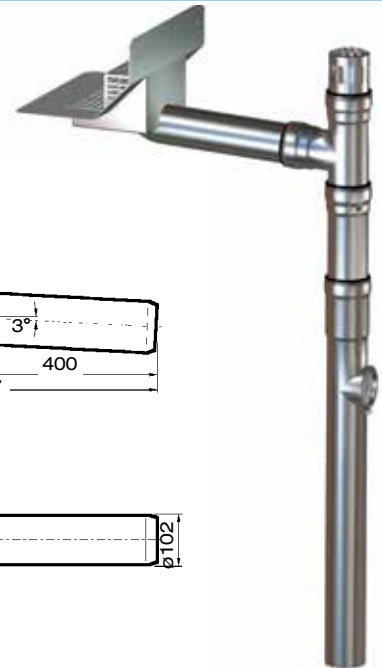
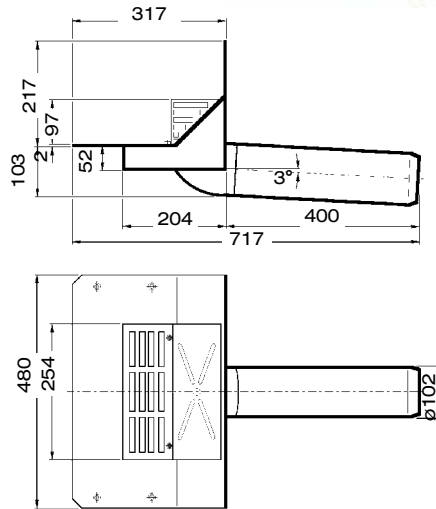
LX694-3X

Series 43

Drain Art.-No. 01350.100X

Weight: 8.0 kg

with bonding flange
for bituminous roofing sheets

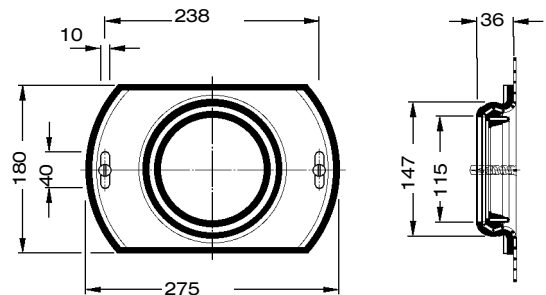


Sliding flange for LORO parapet direct drains

with pre-installed connection sleeve for vapor barrier made of bituminous roofing sheets, made of galvanized steel, including fastening screws

Art.-No. 13235.100X

Weight: 1.7 kg



Trace heating: Lorowerk recommends to check all drains and pipes with regard to their frost-sensibility. Where necessary, these parts should be equipped with a trace heating.